

COSY DELUXE

Latest sliding door system for interior doors. Ideal for hollow core and semi-solid doors.

FEATURES

- .. Easy to fit
- .. Smooth-running, ball-bearing wheels
- .. Built-in track stops
- .. No cutting the door
- .. Adjustable Cosy guide

SPECIFICATIONS

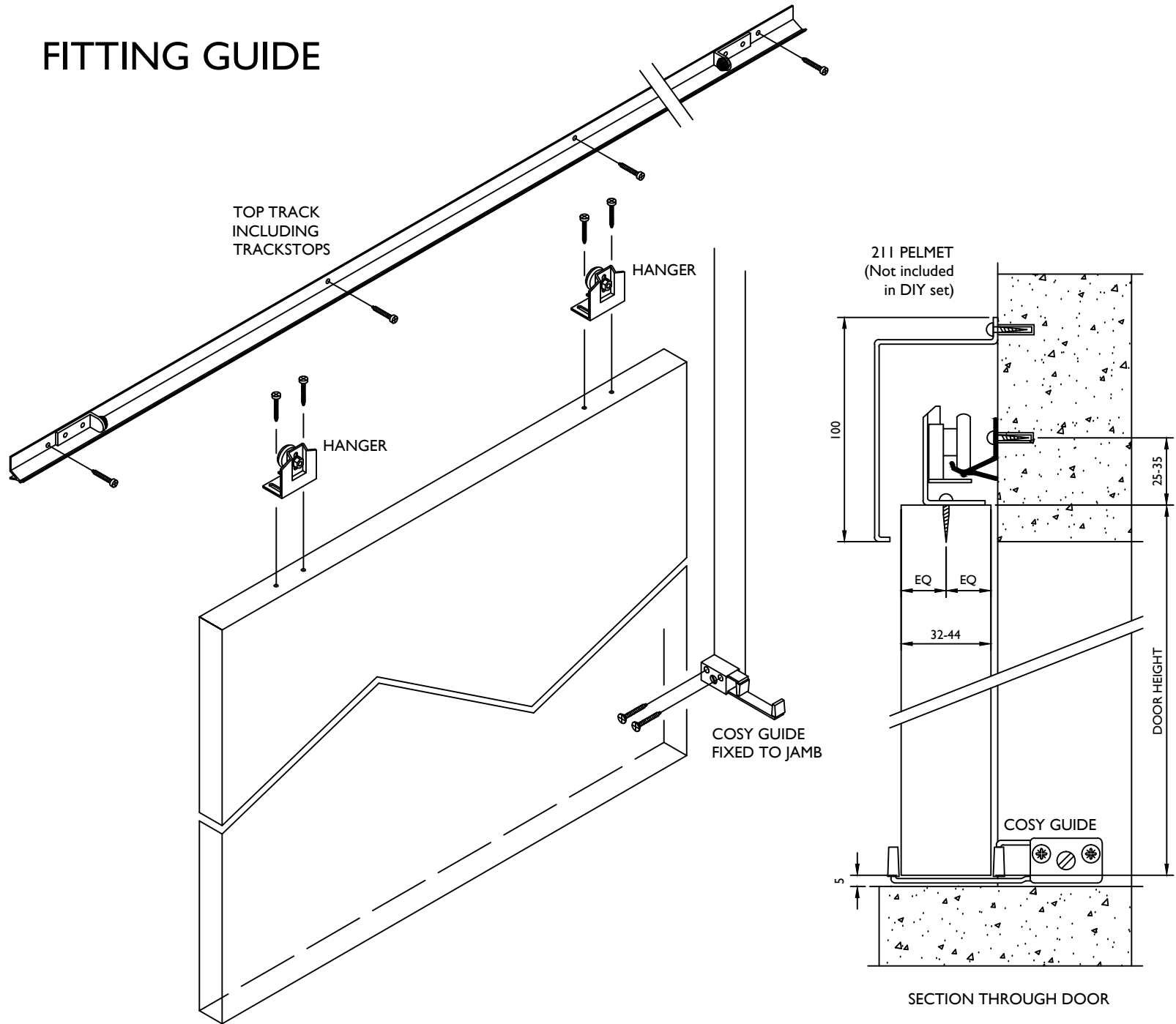
Max door mass: 30Kg
 Max door width: 813mm
 Max door height: 2100mm
 Door thickness: 32-44mm

Standard packed set for
 813 x 2032mm and
 762 x 2032mm doors

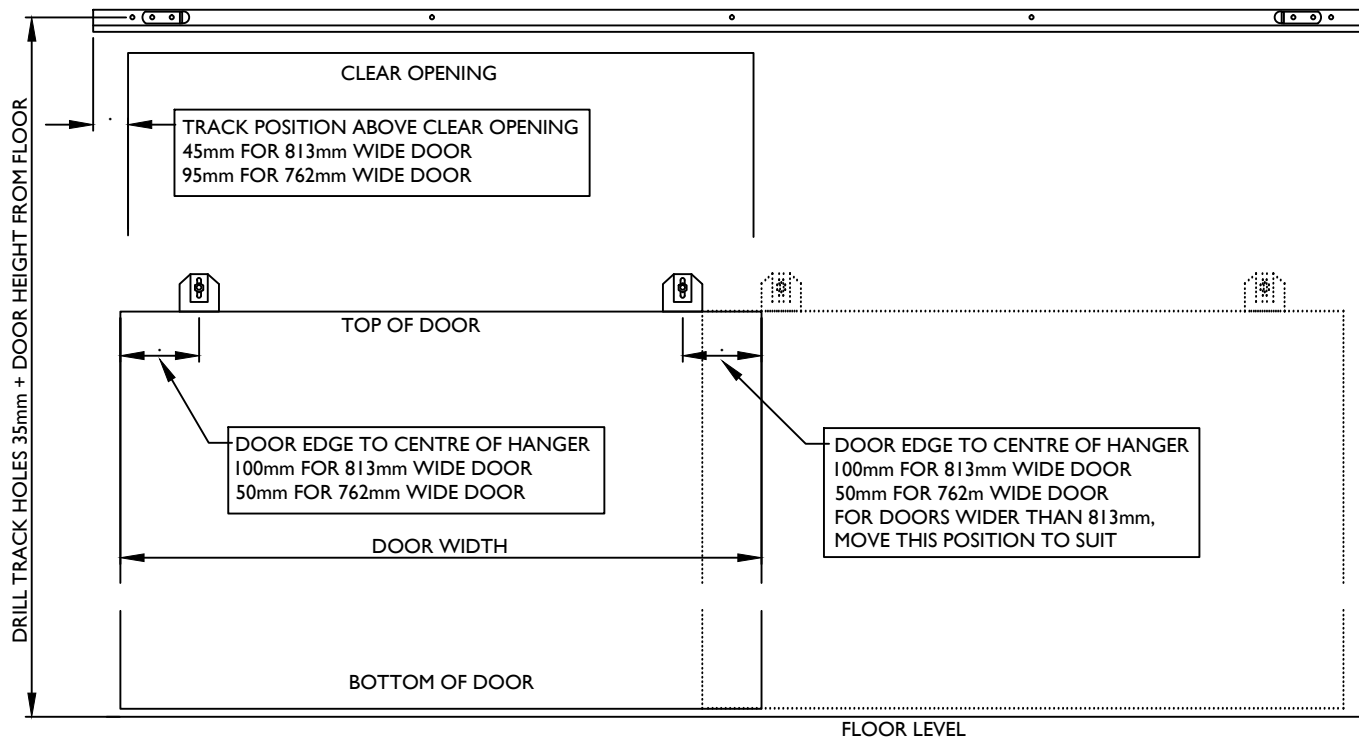
**FOR WIDER DOORS,
 ADJUST HANGER CENTRES.**

Hillaldam Coburn Systems (Pty) Ltd.
 P O Box 4664, Johannesburg 2000, South Africa
 Tel: (+2711)626 1001
 Fax: (+2711)626 1341
 Email: info@hillaldam.co.za
 Web: www.hillaldam.co.za

FITTING GUIDE



POSITION OF TOP TRACK AND CLEAR OPENING



TRACK FIXING

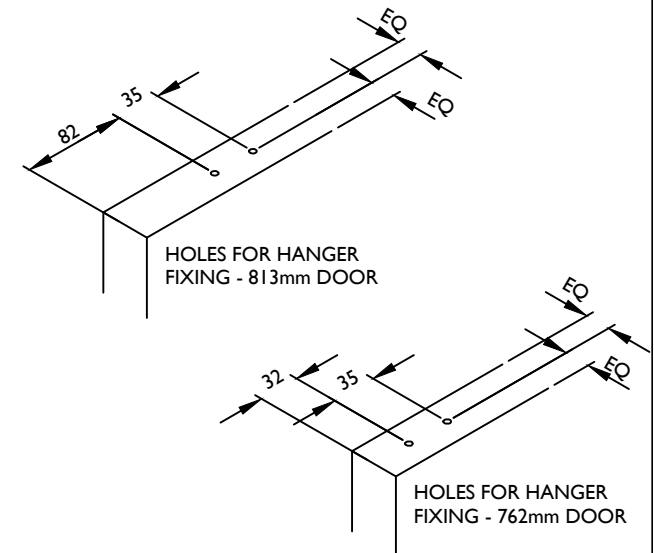
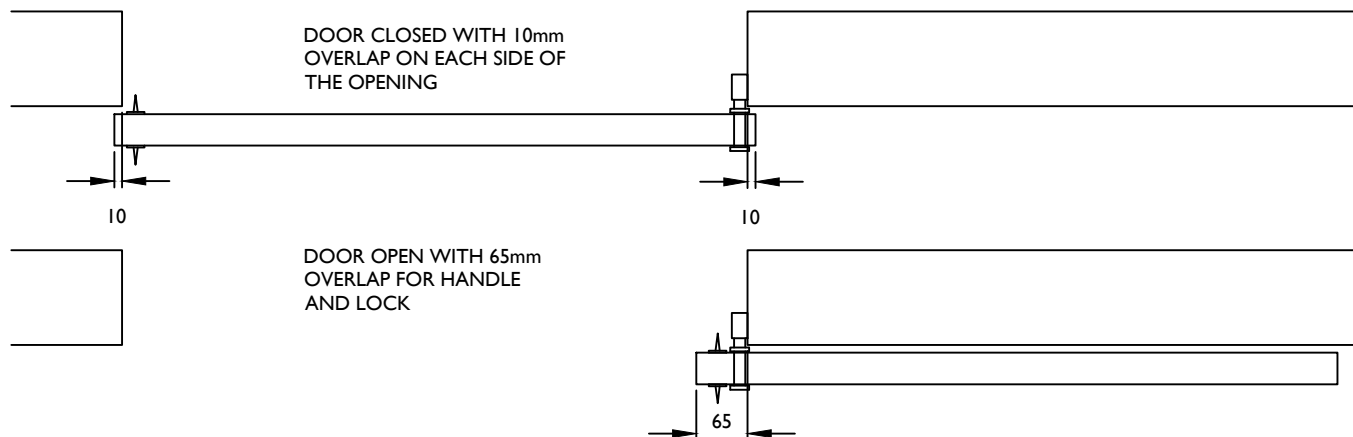
1. DRAW A LINE ON THE WALL 35mm + DOOR HEIGHT ABOVE FLOOR LEVEL - MAKE SURE THAT IT IS LEVEL AND PARALLEL TO THE FLOOR.
2. POSITION TRACK ACCORDING TO THE LAYOUT SHOWN HERE.
3. MARK HOLE POSITIONS.
4. DRILL HOLES IN WALL USING 6 DIA MASONRY DRILL.
5. FIX TRACK WITH SCREWS AND WALL PLUGS PROVIDED.

HANGER FIXING

1. DRILL 4mm DIA HOLES IN TOP OF DOOR AS SHOWN BELOW.
2. FIX HANGERS TO DOOR USING SCREWS PROVIDED.

HANGING THE DOOR

1. OFFER DOOR TO TRACK AT AN ANGLE SO THAT THE HANGER WHEELS LOCATE INTO THE TRACK. LET THE DOOR HANG VERTICALLY AND MAKE SURE THAT IT RUNS SMOOTHLY.
2. ADJUST Laterally BY RELEASING THE HANGER FIXING SCREWS AND ADJUST FOR HEIGHT BY LOOSENING THE NUTS ON THE BACK OF THE HANGER WHEELS.
3. TIGHTEN ALL NUTS AND HANGER FIXING SCREWS.
4. FIX COSY GUIDE TO THE DOOR FRAME OF JAMB AND ADJUST FOR DOOR THICKNESS.



NOTE: FOR DOOR OPENING FROM RIGHT TO LEFT, VIEW AS MIRROR IMAGE OF THIS DRAWING.