

DOUBLE 60

Top hung sliding system for wardrobe and cupboard doors.

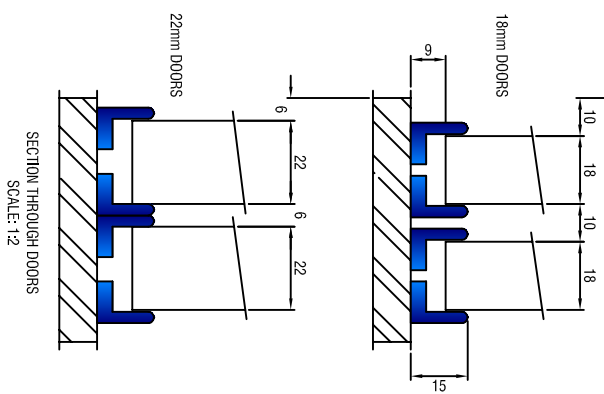
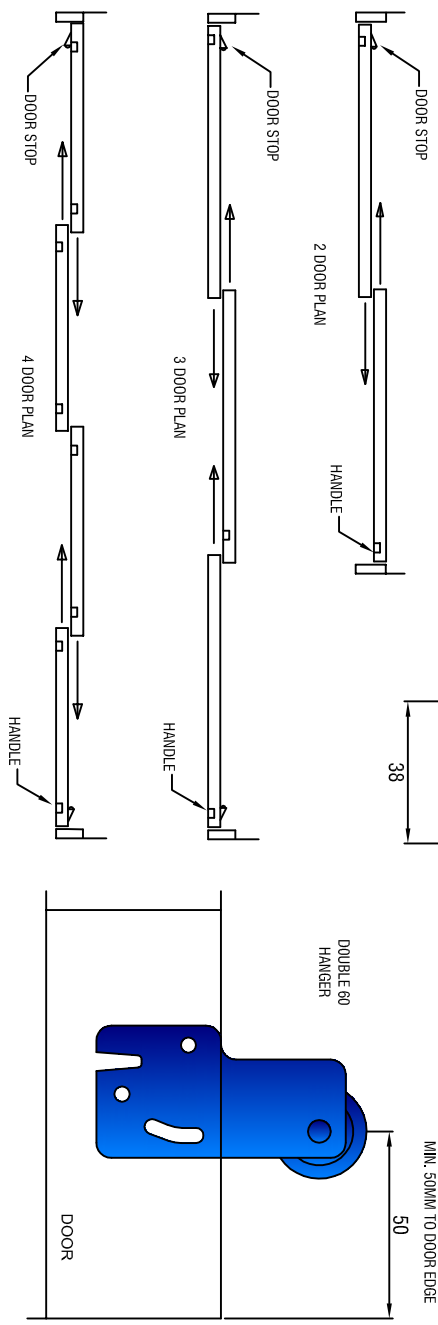
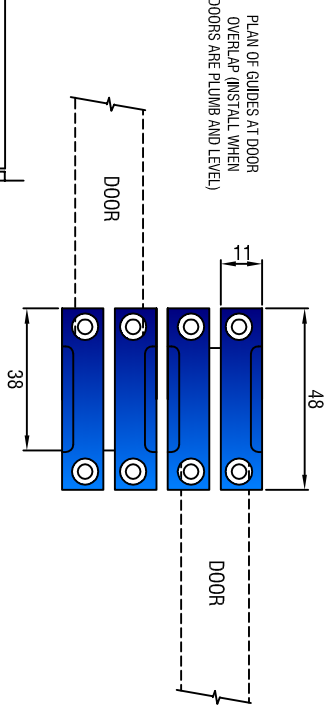
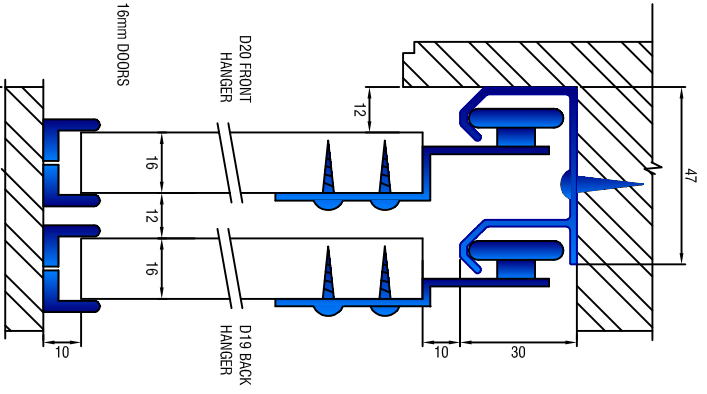
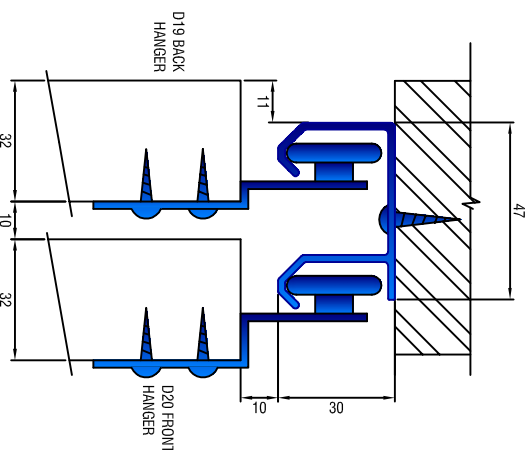
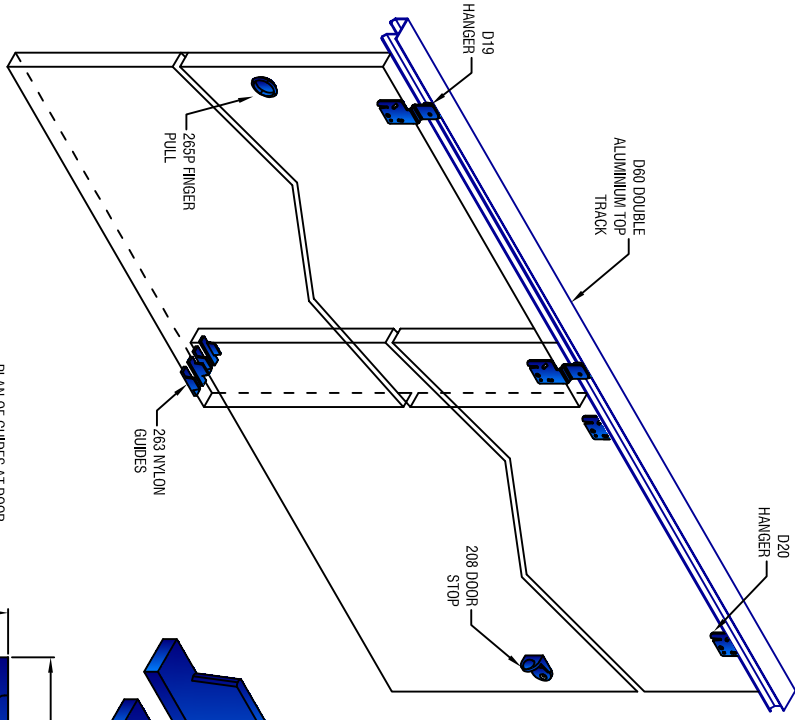
- FEATURES:**
- Smooth running ball-bearing hangers
 - Double track and cranked hangers for door spacing

- SPECIFICATIONS:**
- Max door mass: 30kg
 - Max door height: 2100mm
 - Max door width: 900mm
 - Door thickness: 16-32mm

- COMPONENTS**
- D60 Aluminium top track
 - D19 Back hangers
 - D20 Front hangers
 - 263 Nylon guides
 - 265P Finger pulls
 - 208 Door stop

NOTE:
Deep front hanger (D20) and shallow rear hanger (D19) for doors up to 22mm thick. For 32mm doors, hangers are reversed.

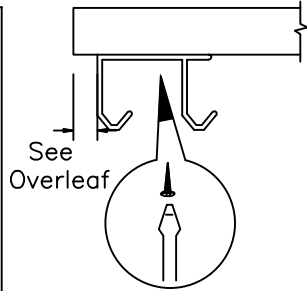
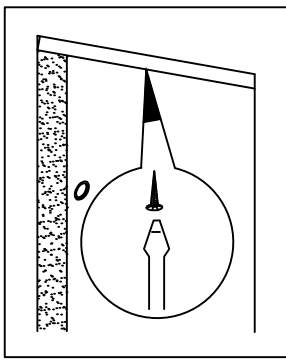
- Standard packed sets**
- 4D - 2 doors in 1200mm opening
 - 5D - 2 doors in 1500mm opening
 - 6D - 2 doors in 1800mm opening
 - 8D - 3 doors in 2400mm opening



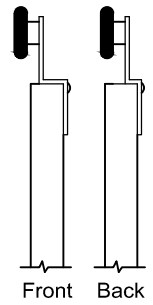
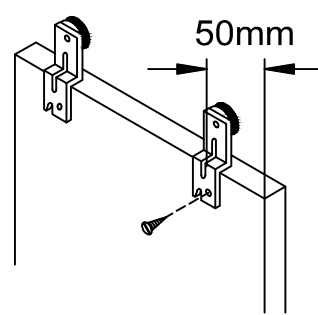
Double 60

Top Hung Sliding System for Wardrobe & Cupboard Doors

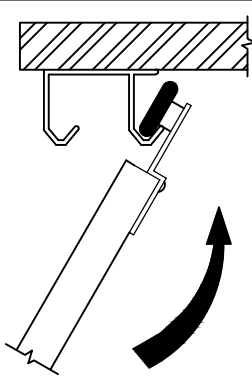
1



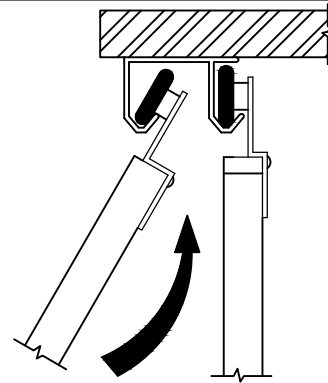
2



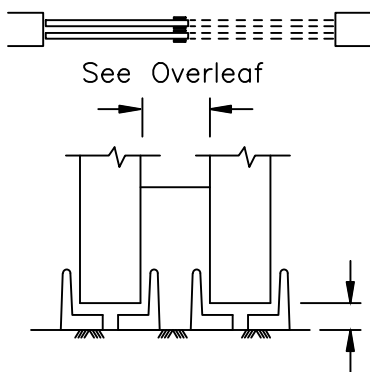
3



4



5



6

