

MULTIFOLD 100E

Top hung, end folding hardware for interior timber or aluminium doors

FEATURES:

.. GALVANISED OR STAINLESS STEEL
.. BALL-BEARING HANGERS .. EQUAL WIDTH (OR HALF) DOORS
.. FOR DOORS OR SERVING HATCHES

SPECIFICATIONS:

Max leaf mass: 30kg

Max leaf height: 2400mm

Max leaf width: 600mm

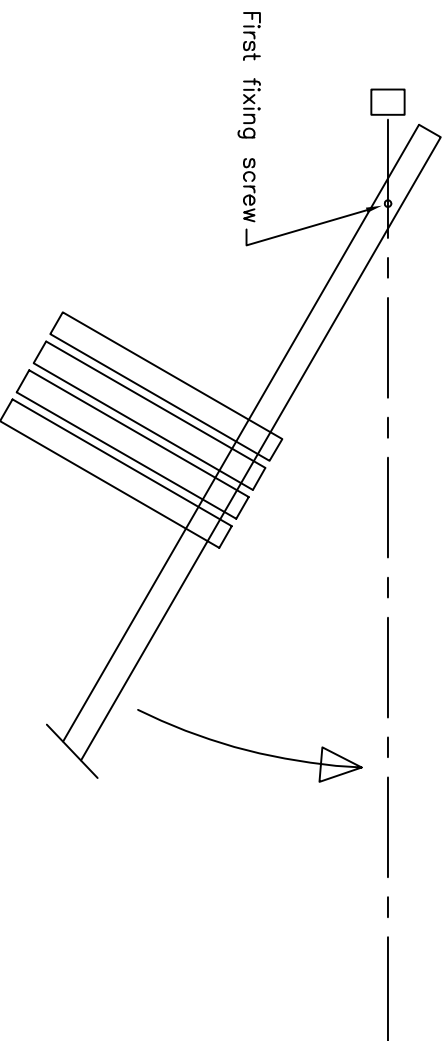
Leaf thickness: 32-40mm.

NO SWING LEAVES.

Recommended: 2 or 4 leaves hinged together and to pivot. For 2 leaves, bottom guide is optional. For 4 leaves, bottom guiding is recommended.

FITTING GUIDE

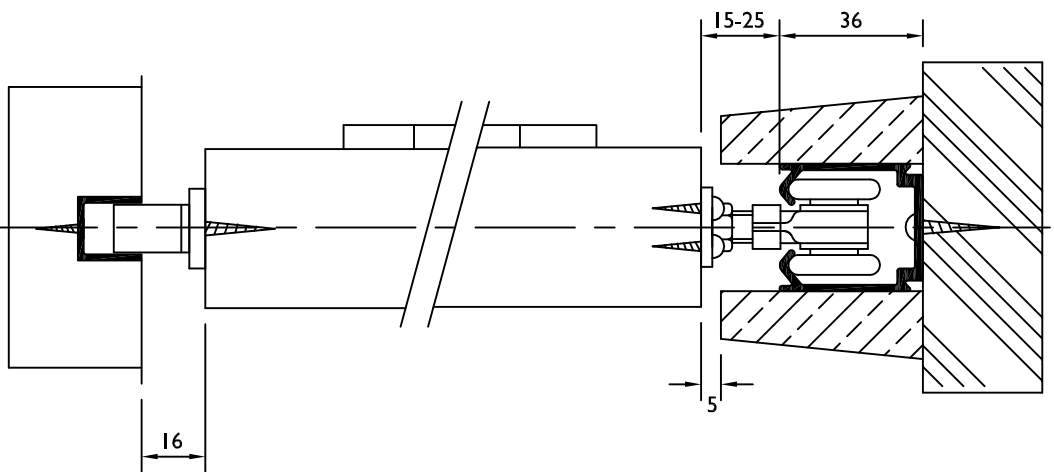
1. Size all door leaves in the opening per Fig. 1. Ensure all leaves are equal widths, square and flat.
2. Prepare the leaves and fit the hardware as shown in Fig. 2.
Drill 12mm dia holes, 35mm deep on leaves 1, 2 and 4 (if used).
If leaves are to be rebated, do that now.
3. Install all hangers, guides, hinges, handles and flush bolts and assemble the leaves.
4. Cut the top track to fit the opening, allowing a 6mm gap at the pivot end. Fit the top pivot clamp plate into the track at the pivot end. See Fig 3. Note: Top track should be secured at min 600mm centres.
5. Fix the first track securing screw loosely at the pivot end of the track.
Swing the track away from the frame and while supporting the track, feed the hangers with the assembled suite of doors into the track.
Swing the track back into position and secure. Tighten all screws.



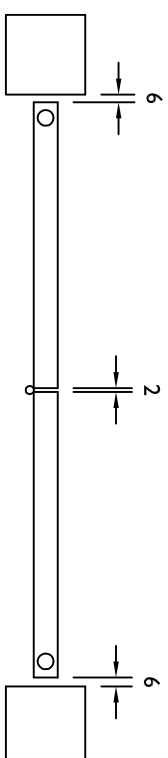
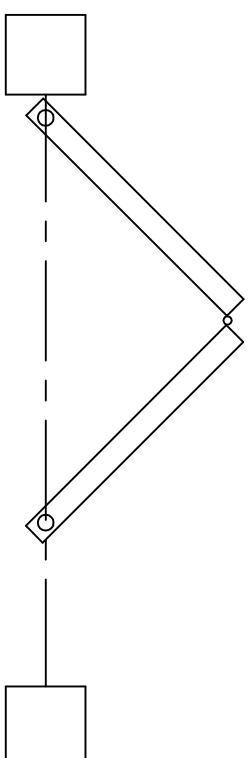
6. Position top pivot clamp plate (in the top track) so that the pivot hole is 46mm from the jamb. (Fig. 3)
Fix bottom pivot base to the floor and jamb, plum below the top track.
7. Locate the bottom pivot (in the base of leaf 1) into the pivot base.
Locate the sprung loaded top pivot (in the top of leaf 1) into the top pivot hole.
8. Adjust the bottom pivot and the top hanger(s) to the dimensions shown in Fig. 3. and ensure that the leaves hang level and move freely.
Tighten all lock nuts on hanger bolts.
Tighten adjustment nut on bottom pivot base.

MULTIFOLD 100E

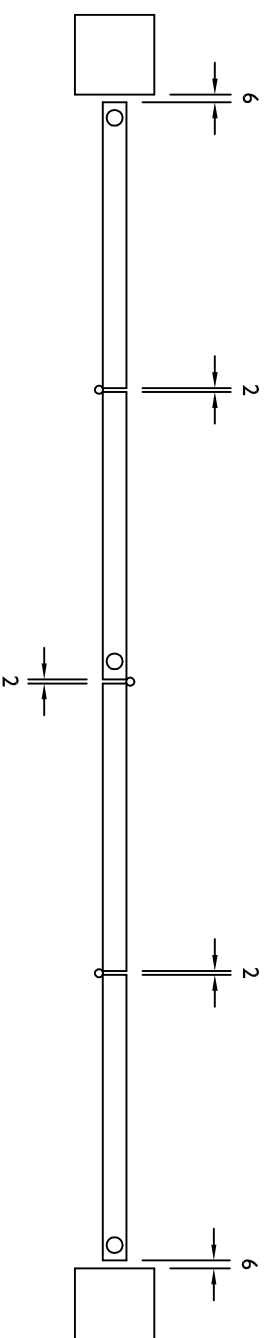
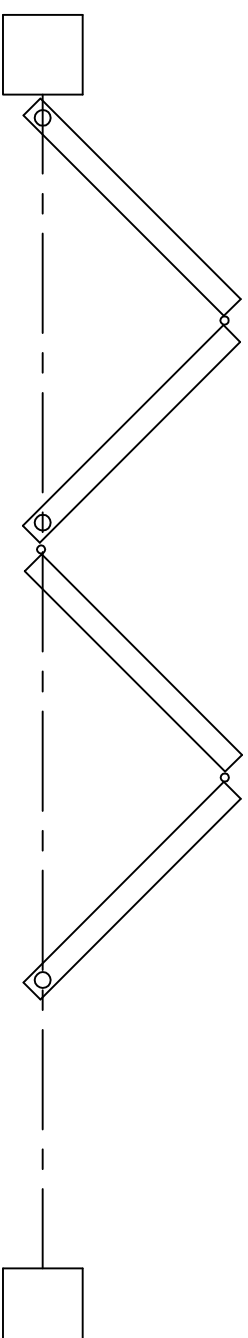
FIG. 1.
SIZING THE DOOR
LEAVES IN THE
OPENING



SECTION THROUGH DOORS
SOFFITE FIXED TRACK



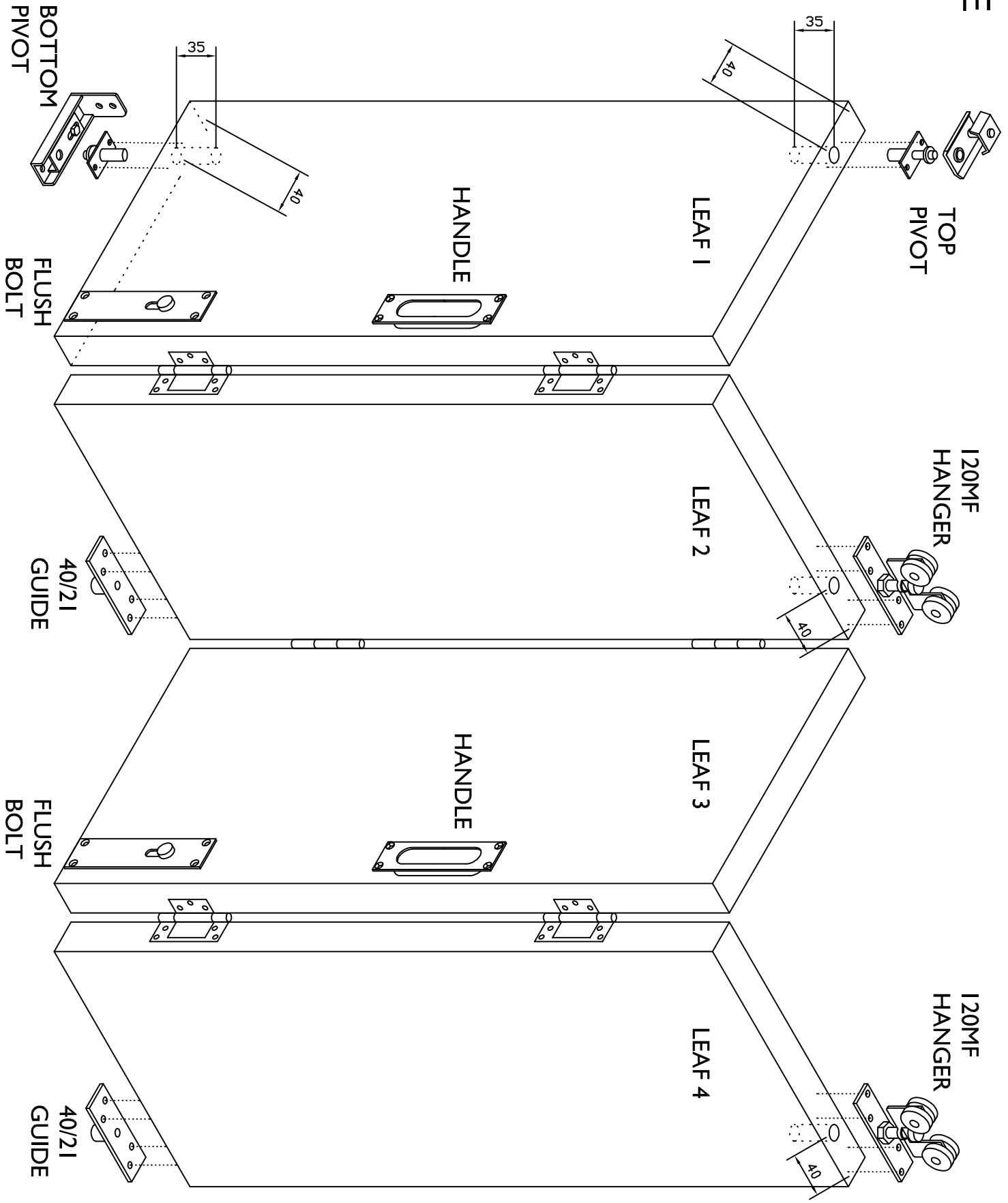
PLAN OF 2 DOORS - END HUNG



PLAN OF 4 DOORS - END HUNG

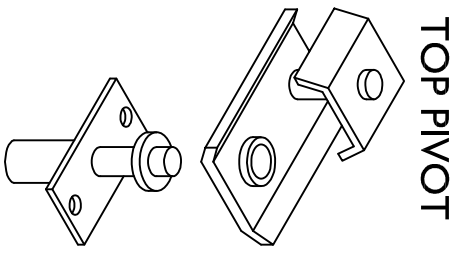
MULTIFOLD 100E

FIG. 2.
PREPARING THE
DOOR LEAVES AND
POSITIONING THE
HARDWARE

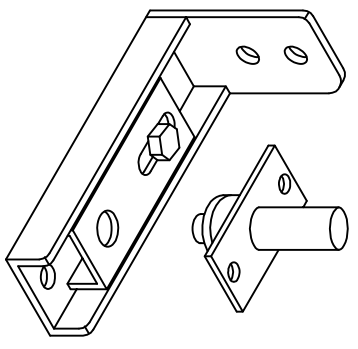


MULTIFOLD 100E

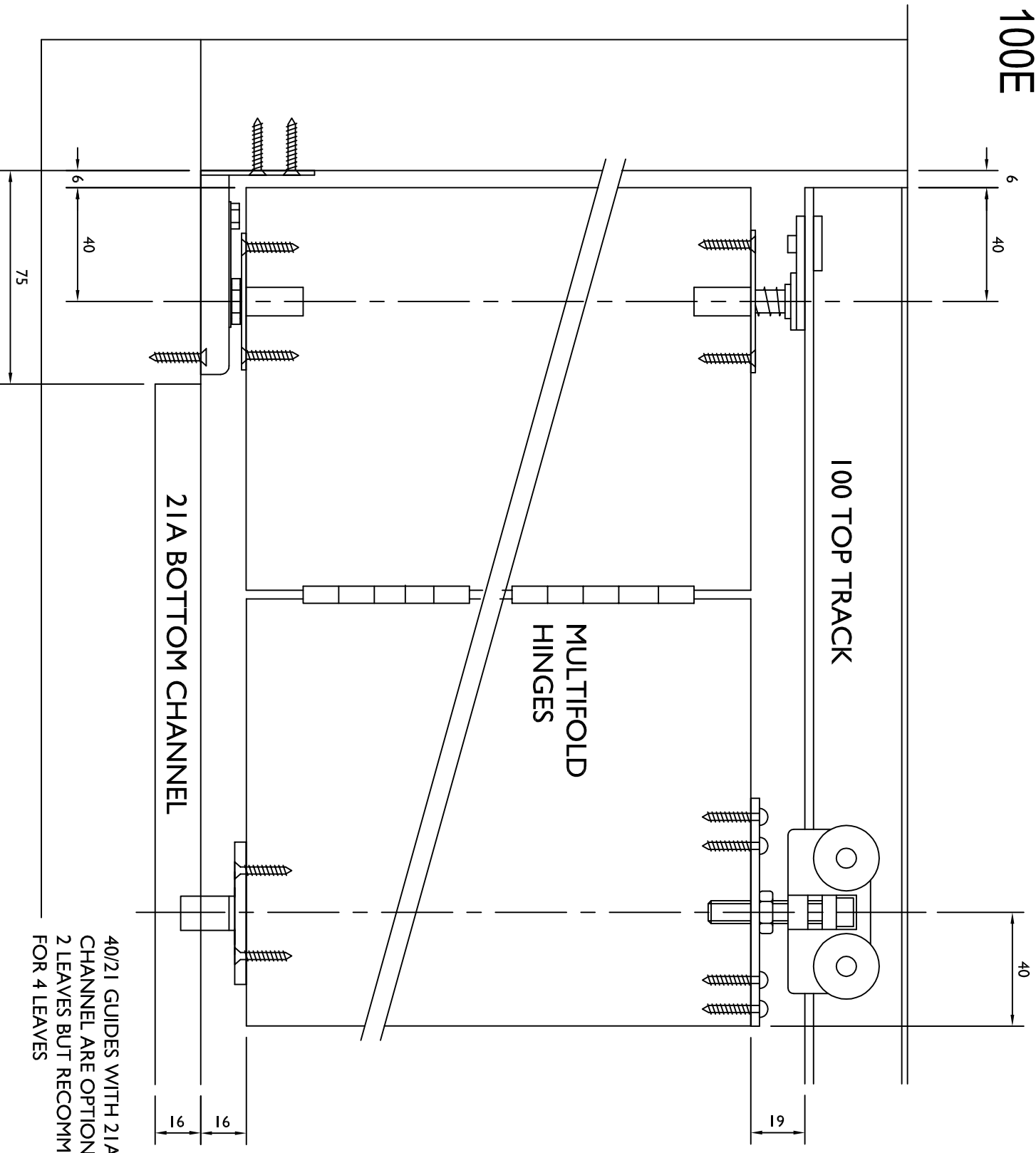
FIG. 3.



TOP PIVOT



BOTTOM PIVOT



40/21 GUIDES WITH 21A CHANNEL ARE OPTIONAL FOR 2 LEAVES BUT RECOMMENDED FOR 4 LEAVES