

PANTHER

Top hung sliding hardware for interior doors - ideal for semi-solid and solid doors

- FEATURES:**
- .. HEAVY DUTY BALL-BEARING SLIDING SYSTEM
 - .. CONCEALED GUIDING

- SPECIFICATIONS:**
- Max door mass: 90kg
 - Max door height: 2100mm
 - Max door width: 1500mm
 - Door thickness: 44mm

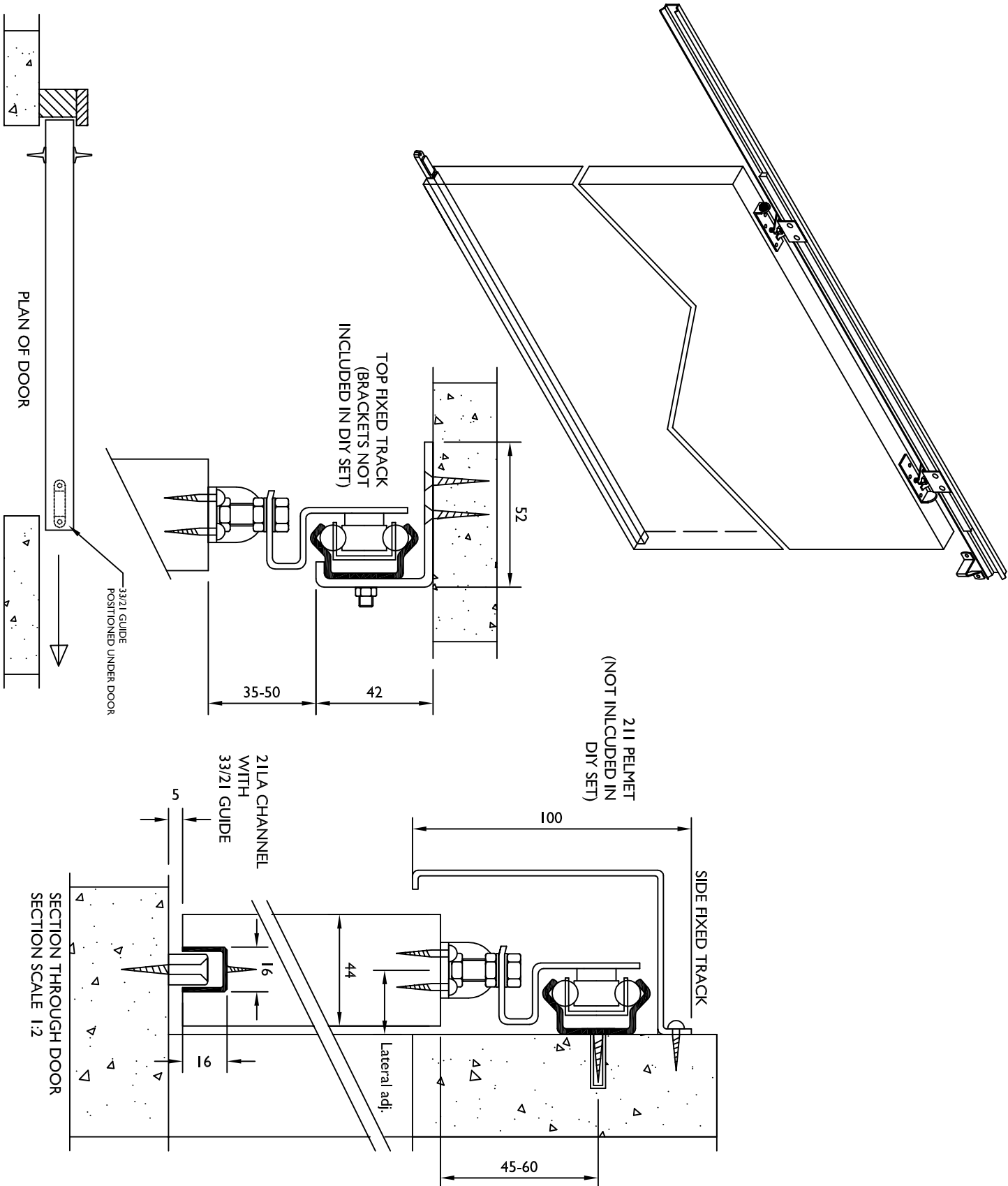
COMPONENTS

- Panther aluminium top track assembly
- Hanger assembly with V-stops
- 21LA aluminium guide channel
- 33/21 nylon guide
- 211 Pelmet (not included in DIY set)
- Available in 1.5m, 1.8m, 2.1m, 2.4m, 3.0m

PANTHER PACKED SETS

- P2 - for door 600-750mm wide
- P3 - for door 750-900mm wide
- P4 - for door 900-1050mm wide
- P5 - for door 1050-1200mm wide
- P10 - for door 1200-1500mm wide

Hillaldam Coburn Systems (Pty) Ltd.
P O Box 4664, Johannesburg 2000,
South Africa
Tel: (+2711)626 1001.
Fax: (+2711)626 1341.
Email: info@hillaldam.co.za
Web: www.hillaldam.co.za



PANTHER FITTING GUIDE

FIXING THE TRACK

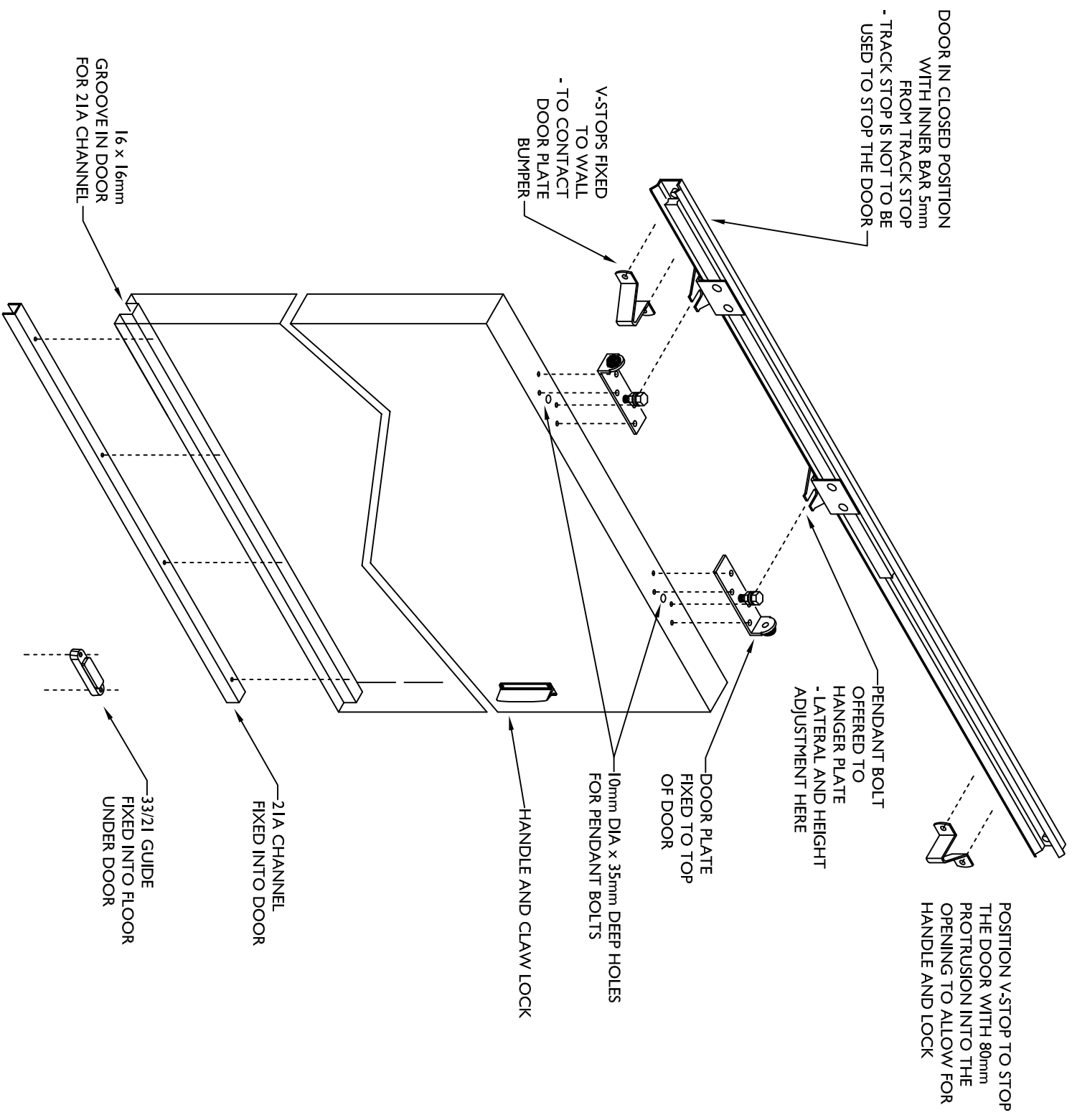
- .. Place door on 5mm packing
- .. Measure 50-55mm from the top of the door and mark the wall
- .. Drill holes for track fixing on this line

FITTING THE DOOR

- .. Use 5mm packing under door
- .. Offer pendant bolts into hanger brackets
- .. Adjust for height and lateral position
- .. Tighten lock nuts

FITTING THE GUIDE

- .. Position guide under the door next to the door frame (see plan drawing overleaf)



POSITION V-STOP TO STOP THE DOOR WITH 80mm PROTRUSION INTO THE OPENING TO ALLOW FOR HANDLE AND LOCK