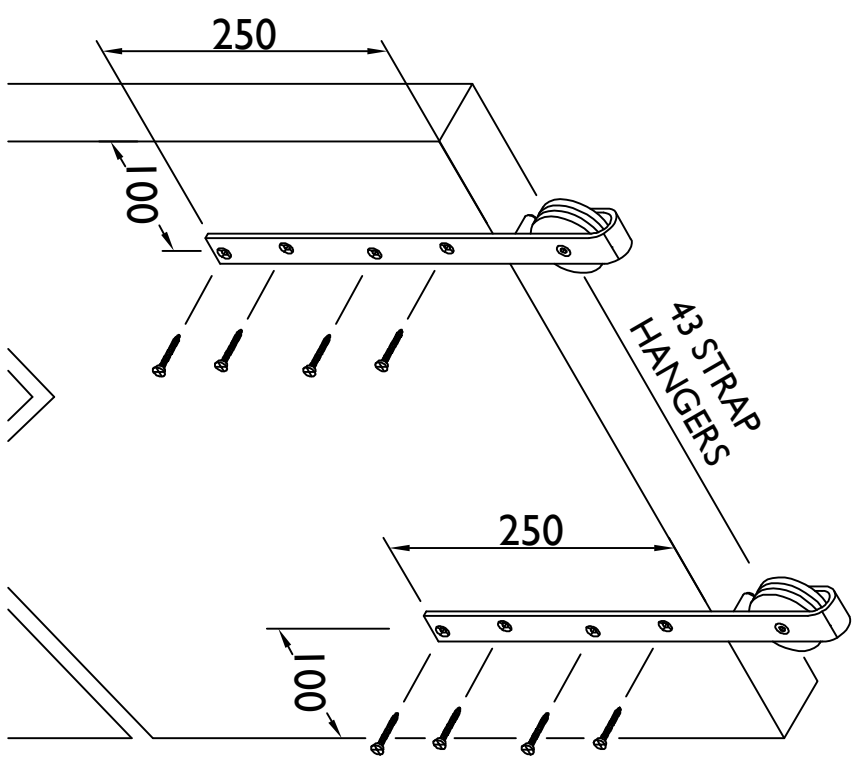
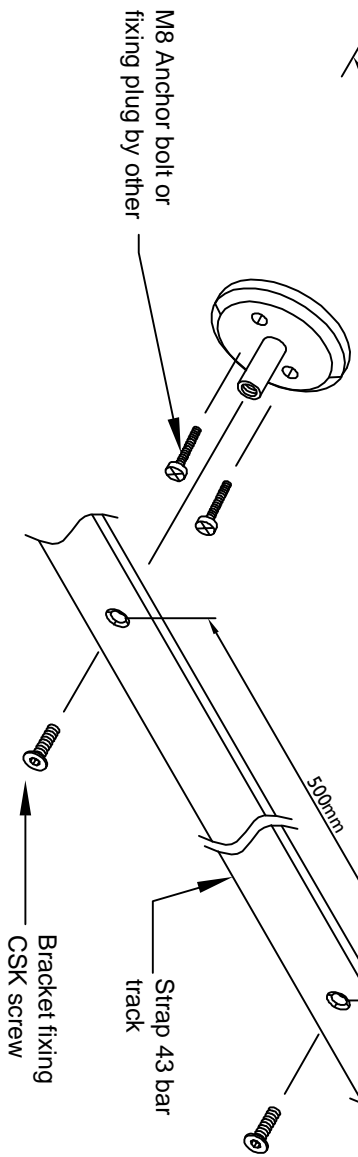
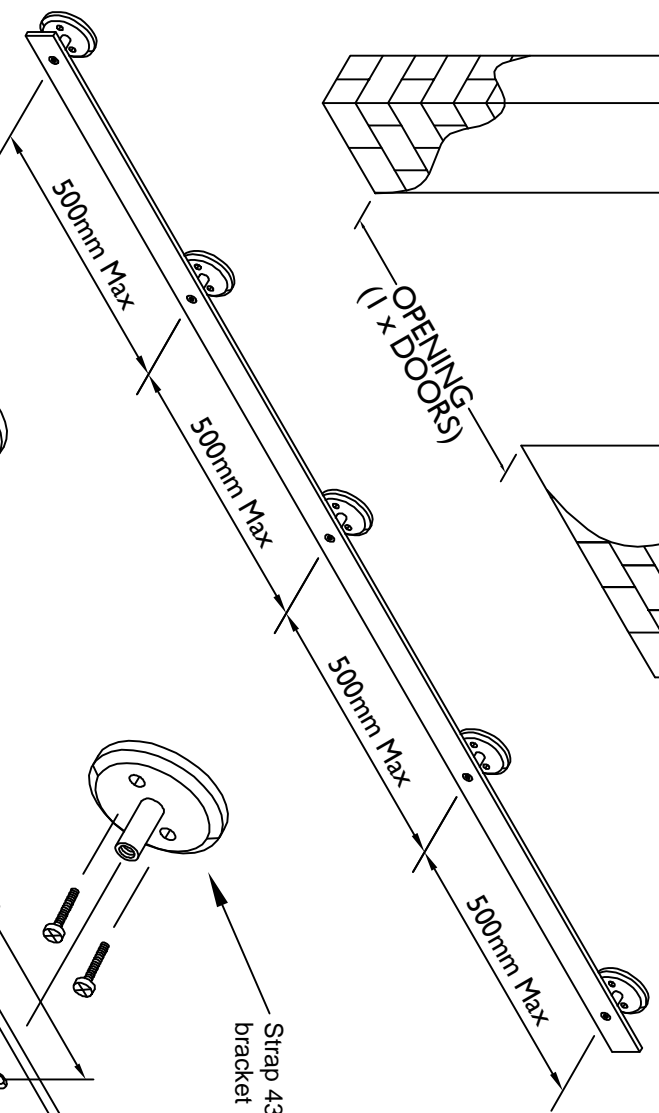
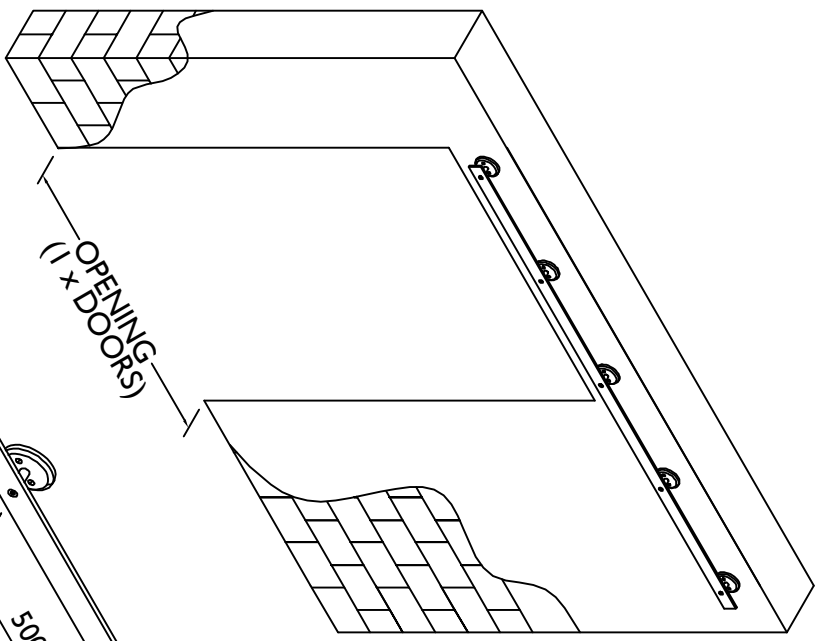


Opening and Track Preparation.

1. Prepare opening and support for side fixing track brackets.
2. Track brackets should be max 500mm apart.
3. The track should be sufficient length to slide the door from its closed position i.e. 2 times the width of opening or door.
4. Position the track along the opening and mark off the position of the position of the fixing brackets. Make sure that the track is high enough for the door to overlap the top of the opening.
5. Once all holes have been marked off, drill holes as required to suit M8 anchor bolts or equivalent fixing lugs.
6. Once all the holes have been drilled, remove the brackets from the track using an allen key and secure to the wall.
7. After each bracket has been securely fixed, line up the track along the brackets and secure using the allen key cap screws just removed.
8. Using the screws provided, screw the strap hangers a min 100mm from the edge and 250mm deep on to the door as shown in the diagram.
9. Hang the door.



TITLE: 43 STRAP TRACK AND DOOR INSTALLATION

